

Couplers

Adapters Attenuators **Couplers** DC Blocks Detectors Isolators & Circulators Phase Shifters Power Dividers and Hybrids Terminations (50 Ohm Loads) Waveguide

Type N (M/F) 0.05 to 8 GHz 500 Watt (High Power Calibrated Dual 20dB)



Features

- Exceptional High Directivity for Reflectometry Measurements
- Broadband Frequency Coverage
- Bilateral Male and Female Output Ports
- Low VSWR
- High Power
-

Models

- 3020A, 3022, 3024

Model	3020A	3022	3024
Low Frequency (GHz)	0.05	1.0	4.0
High Frequency (GHz)	1.0	4.0	8.0
Nominal Coupling (dB)	20*	20	20
Minimum Directivity (dB)	35	30 (1-3 GHz) 27 (3-4 GHz)	25
VSWR Primary Line power	1.05	1.15	1.15
Equivalent Residual VSWR (max)	1.04	1.09	1.12
Absolute Calibration Accuracy dB (per 10 dB step)	+/-0.1	+/-0.1	+/-0.1
Insertion Loss	0.2	0.3	0.6
Tracking dB	0.3	0.3	0.3
Maximum Deviation from Nominal (dB)	+/-1.0 from 250-1000 MHz	+/-1.0	+/-1.0
Power AVG (Incident in W)	500	500	500
Power AVG (Reflected in W)	500	500	500
Peak Power (kW)	10	10	10
Weight (max) in lbs	2.4	1.9	1.6
Weight (max) in kg	1.1	0.7	0.7
Special Notes:	A , B , C , D	C , D	C , D

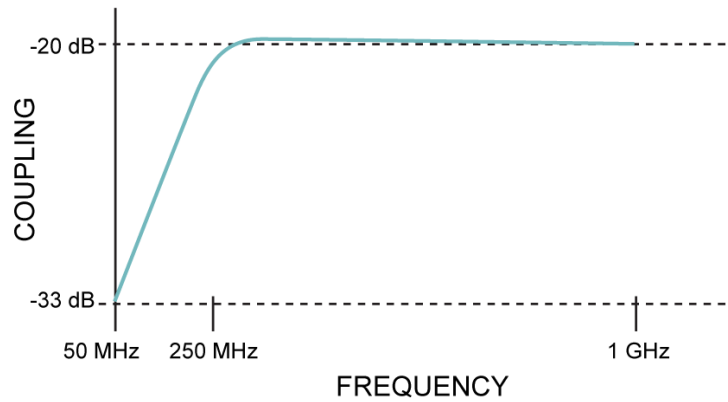
Special Notes:

A: Coupling from 250 MHz to 50 MHz increases from 20 dB to 33 dB
B: Model 3020A is usable down to 10 MHz; coupling will typically be 42-46 dB at this frequency.
C: Accessories supplied with all units above: 1 male short, 1 female short
D: PRIMARY CONNECTORS: 1 female, 1 male, Type N
 SECONDARY CONNECTORS: 2 female, Type N

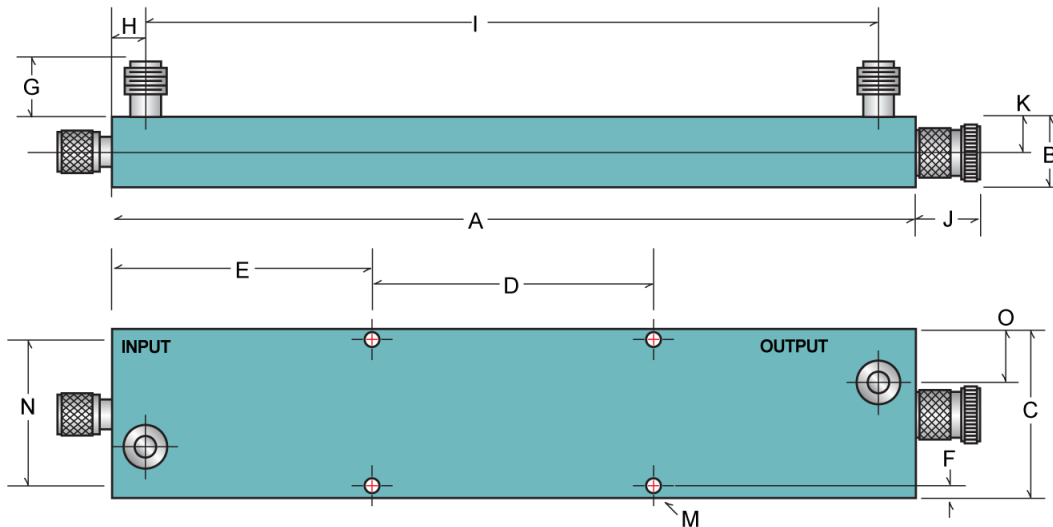
Couplers

Adapters Attenuators **Couplers** DC Blocks Detectors Isolators & Circulators Phase Shifters Power Dividers and Hybrids Terminations (50 Ohm Loads) Waveguide

Type N (M/F) 0.05 to 8 GHz 500 Watt (High Power Calibrated Dual 20dB)



Model 3020A



Outline Drawings For Models : 3020A

Units	A	B	C	D	E	F	G	H	I	J	K	M (Dia.)	N	O
3020A														
in.	13.19	0.88	2.44	4.00	3.72	0.16	0.16	0.75	0.50	1.25	0.44	Tap-1	2.13	0.75
mm	335.03	22.35	61.98	101.60	94.49	4.06	4.06	19.05	12.70	31.75	11.18		54.10	19.05

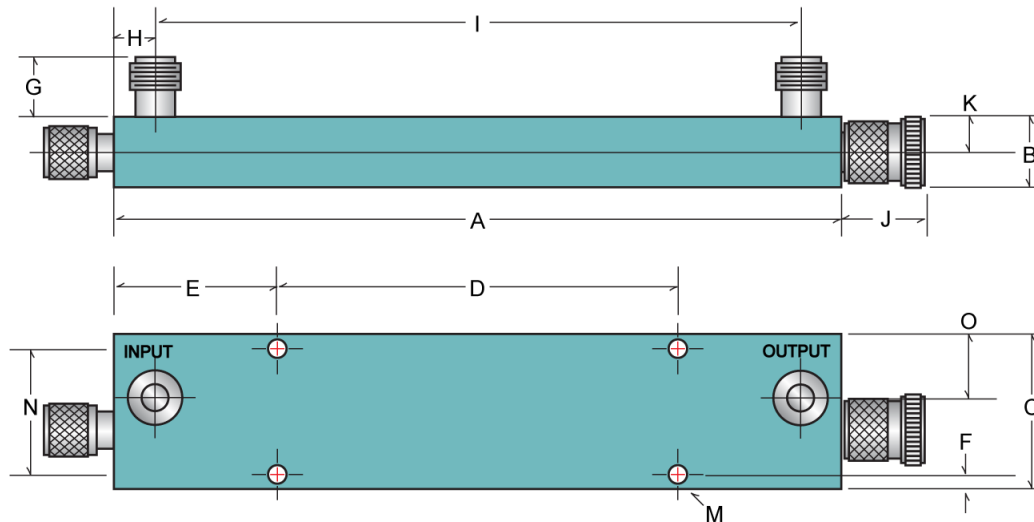
Notes:

Dimensions are maximum unless otherwise noted and allow for 0.020" paint buildup per surface.
 All Dimensions except A: +/-0.030"
 Tap-1: #8-32, UNR by 0.4 Deep Farside.

Couplers

Adapters Attenuators **Couplers** DC Blocks Detectors Isolators & Circulators Phase Shifters Power Dividers and Hybrids Terminations (50 Ohm Loads) Waveguide

Type N (M/F) 0.05 to 8 GHz 500 Watt (High Power Calibrated Dual 20dB)



Outline Drawings For Models : 3022

Units	A	B	C	D	E	F	G	H	I	J	K	M (Dia.)	N	O
3022														
in.	10.63	0.88	1.88	4.88	2.87	0.16	0.75	0.50	7.88	1.25	0.44	Tap-1	2.13	0.75
mm	270.00	22.35	47.75	123.95	72.90	4.06	19.05	12.70	200.15	31.75	11.18		54.10	19.05

Notes:

Dimensions are maximum unless otherwise noted and allow for 0.020" paint buildup per surface.

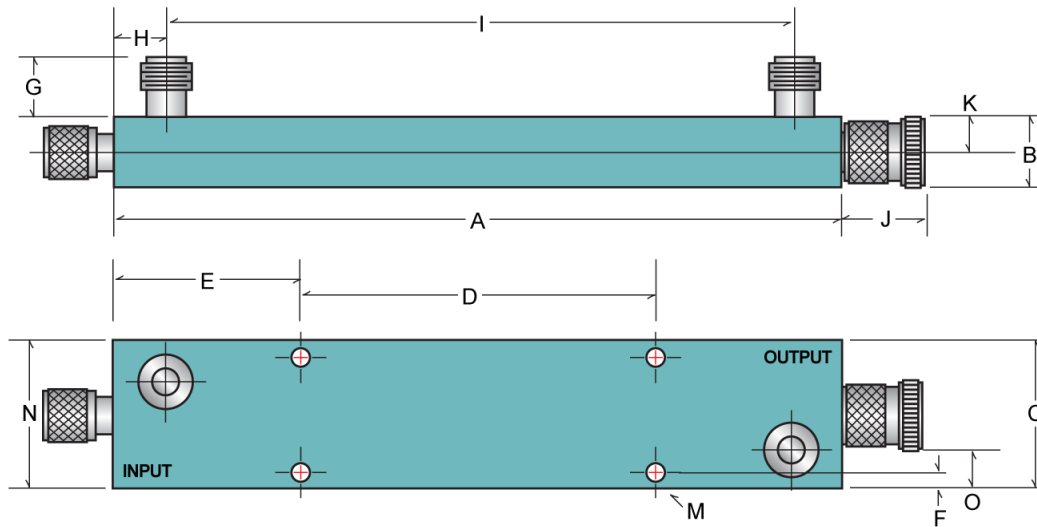
All Dimensions except A: +/-0.030"

Tap-1: #8-32, UNR by 0.4 Deep Farside.

Couplers

Adapters Attenuators **Couplers** DC Blocks Detectors Isolators & Circulators Phase Shifters Power Dividers and Hybrids Terminations (50 Ohm Loads) Waveguide

Type N (M/F) 0.05 to 8 GHz 500 Watt (High Power Calibrated Dual 20dB)



Outline Drawings For Models : 3024

Units	A	B	C	D	E	F	G	H	I	J	K	M (Dia.)	N	O
3024														
in.	8.50	0.88	1.75	4.00	2.25	0.19	0.75	0.625	7.25	1.12	0.44	Tap-1	1.38	0.47
mm	215.90	22.35	44.45	101.60	57.15	4.83	19.05	15.875	184.15	28.45	11.18		35.05	11.94

Notes:

Dimensions are maximum unless otherwise noted and allow for 0.020" paint buildup per surface.

All Dimensions except A: +/-0.030"

Tap-1: #8-32, UNR by 0.4 Deep Farside.