



CDN M416, M416-3LN, M516

COUPLING / DECOUPLING NETWORK (CDN)

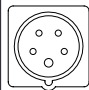
CDN M TYPE



CDN M416

- Designed for IEC/EN 61000-4-6
- 4 mm banana sockets
- CDN M516 AE port supplied with CEE socket

IEC/EN 61000-4-6 specifies the design and performance of a range of coupling/decoupling networks (CDNs). Each CDN is specific to the type of cable and the intended signal carried on the cable. Teseq offers an extensive range of CDNs which fully comply with the requirements of the standard and provide a simple and reliable method of injecting RF energy into the equipment under test (EUT).

Product name	Application	Connector EUT port	Connector AE port
CDN M416	4 power lines, (2L+N+PE), (3L+PE)	4 mm banana	4 mm banana
CDN M416-3LN	4 power lines, (3L+N)	4 mm banana	4 mm banana
CDN M516	5 power lines, (3L+N+PE)	4 mm banana	CEE 17 plug, 5 pins 

Technical specifications CDN M416, M416-3LN, M516

Frequency range:	150 kHz to 80 MHz
Power rating (EUT- and AE port)	
AC max. voltage (line to ground):	250 V
DC max. voltage (line to ground):	400 V
Current max :	16 A
Test voltage:	3 kV DC, 2 sec
Common mode impedance (EUT port)	
150 kHz to 26 MHz:	150 Ω ±20 Ω
26 MHz to 80 MHz:	150 Ω +60 Ω / -45 Ω
Coupling path (In/Out port/EUT)	
Connection:	BNC 50 Ω
RF voltage:	<30 V
Voltage division factor (RF input to EUT port)	
150 kHz to 80 MHz:	9.5 dB ±1 dB
Insertion loss (EUT / AE) f < 400 Hz:	<0.1 dB
Decoupling of CM disturbance (RF port / AE)	
150 kHz:	>30 dB
1.5 MHz:	>60 dB
30 MHz:	>40 dB
80 MHz:	>20 dB

CDN M416, M416-3LN, M516

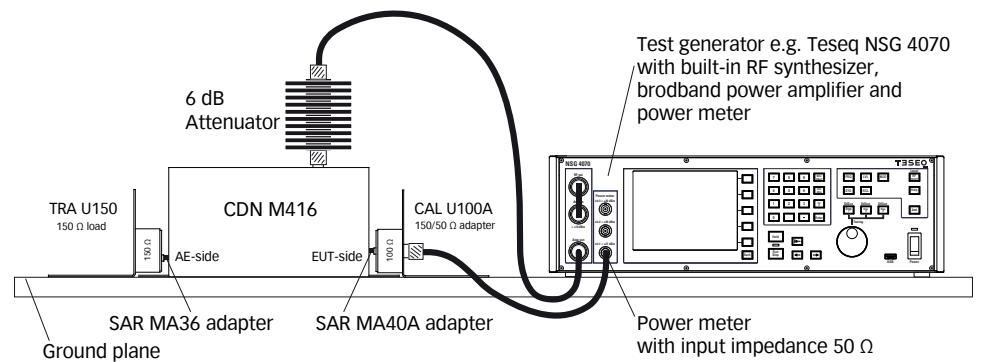
COUPLING / DECOUPLING NETWORK (CDN)

CDN M TYPE

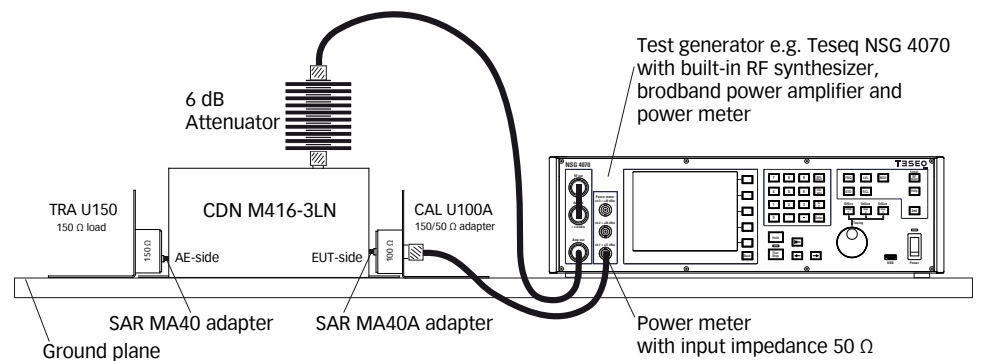
Mechanical specifications

Size (W x H x D):	100 mm x 100 mm x 240 mm
Weight:	approx. 1.5 kg

Test set-up calibration with CDN M416



Test set-up calibration with CDN M416-3LN

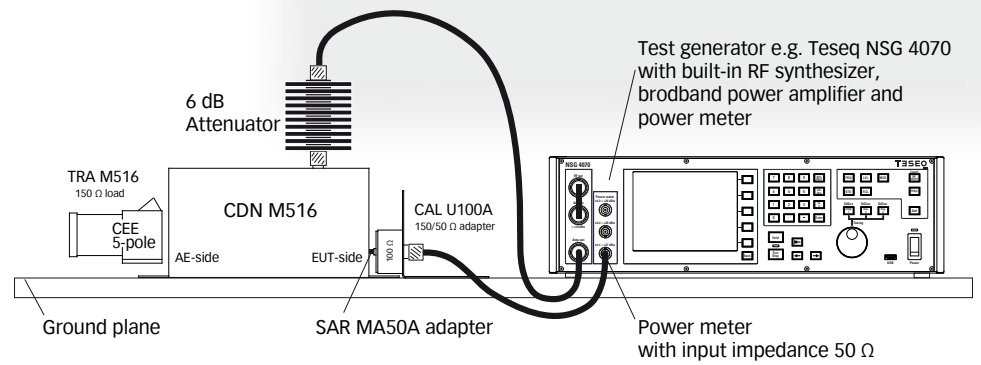


CDN M416, M416-3LN, M516 COUPLING / DECOUPLING NETWORK (CDN) CDN M TYPE

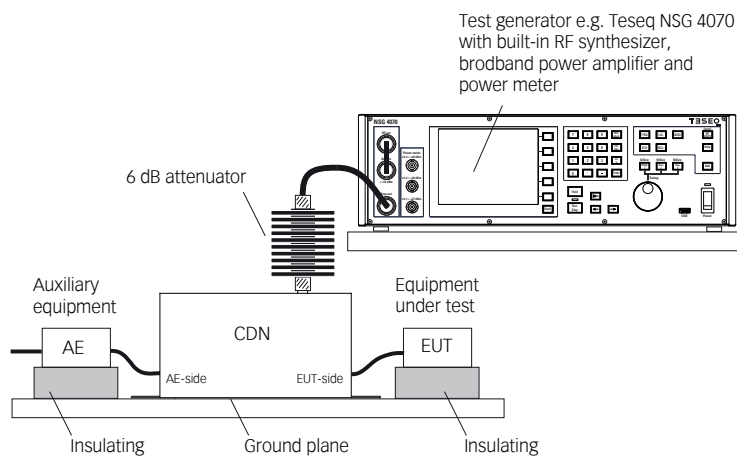


Connector CDN M516 AE side

Test set-up calibration with CDN M516



EUT test set-up



CDN M416, M416-3LN, M516

COUPLING / DECOUPLING NETWORK (CDN)

CDN M TYPE



SAR MA40



SAR MA40A

Delivery information

Part number	Description
231020	CDN M416 CDN M4, 16 A, 80 MHz (banana), 3xL,PE
244118	CDN M416S CDN M4, 16 A, 80 MHz (banana), 3xL,PE with calibration adapter set in suitcase
244166	CDN M416-3LN CDN M4, 16 A, 80 MHz (banana), 3xL,N (without PE line)
244167	CDN M416-3LNS CDN M4, 16 A, 80 MHz (banana), 3xL,N (without PE line) with calibration adapter set in suitcase
234901	CDN M516 CDN M5, 16 A, 80 MHz (AE CEE-plug, EUT banana), 3xL,N,PE
244119	CDN M516S CDN M5, 16 A, 80 MHz (AE CEE-plug, EUT banana), 3xL,N,PE with calibration adapter set in suitcase
97-231024	CDN-TC Traceable calibration (ISO17025) for IEC 61000-4-6 requirements, order only with device CDN M, AF, S or T00x type
242401	CAL U100A Universal calibration unit in safety design (150 Ω /50 Ω adapter)
239903	TRA U150 Universal termination resistor 150 Ω AE side
239918	SAR MA36 Shorting adapter for CDN A301 and M416
239919	SAR MA40 Shorting adapter for CDN A401 and M416-3LN
242436	SAR MA40A Shorting safety adapter for CDN M416, M416-3LN and M425
242437	SAR MA50A Shorting safety adapter for CDN M516 and M525
234964	TRA M516 Termination unit for CDN M516